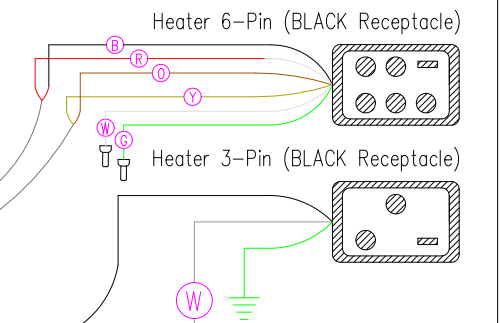
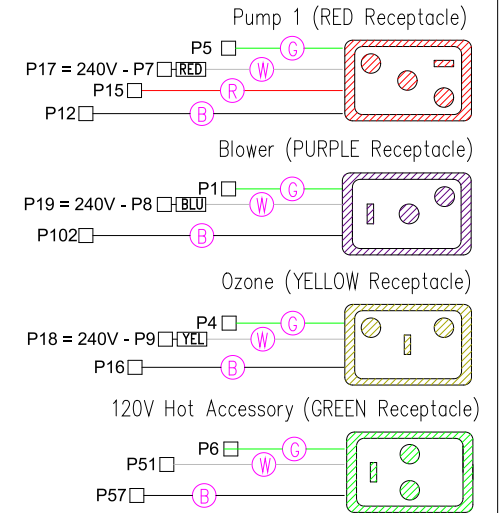
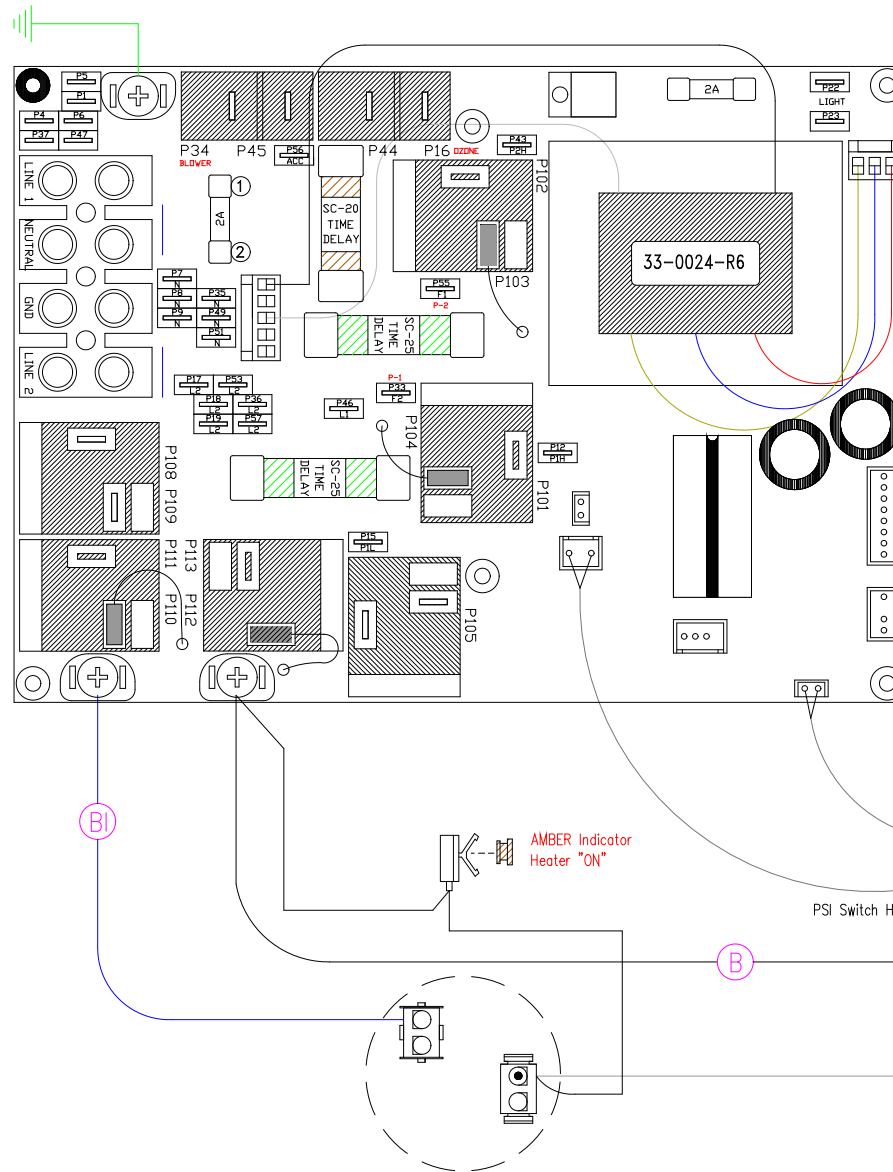
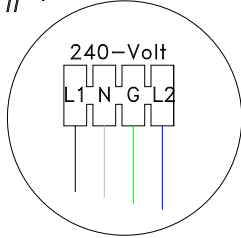


#1



LEGEND	
□	- 1/4" QUICK CONNECT
▤	- 1/4" QUICK CONNECT PIGGYBACK
○	- RING CONNECTOR
◻	- SOCKET CONNECTOR
△	- PIN CONNECTOR

**HYDRO-QUIP**  
 CORONA, CA (909) 273-7575

Manufacture Notes:

#1 Line 2 and Neutral need to be jumpered for 120V operation.

Drawn BH	Rev 11	Wire Color Code B - Black      G - Green Br - Brown    BI - Blue R - Red        V - Violet O - Orange    W - White Y - Yellow     Gr - Gray
Date 08.01.06		
Diagram No. 4818G		